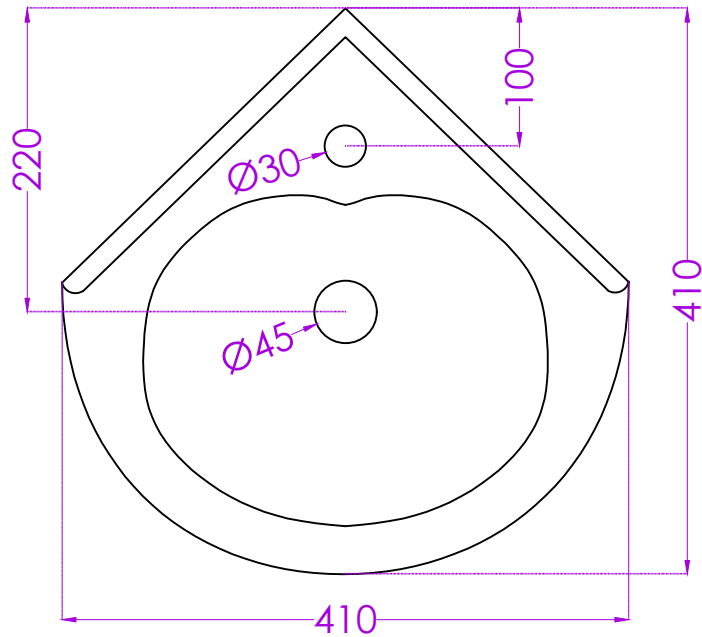
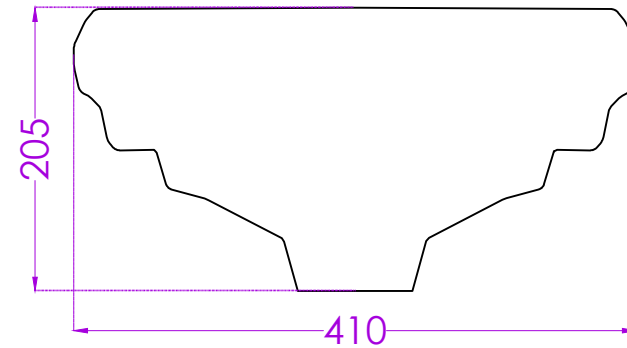


RUBY P0445PW0104 CORNER WASH BASIN

JOHNSON



PLAN



FRONT